

# XXLS400

Subwoofer System

## OWNERS MANUAL



# CONTENTS

## Page No.

- 1) Safety instructions.
- 2) Connecting up your XXLS400.
- 3) Connecting up using the high level input.
- 4) Connecting up using the low level input.
- 5) Setting up your XXLS400.
- 6) Controls and their functions.
- 7) Specifications.

# SAFETY INSTRUCTIONS

## Caution:

**To avoid the risk of electric shock do not remove the panel from the cabinet. If this unit fails or has a serious deterioration in performance then refer repair to the dealer where you purchased the unit.**

- 1) Please read these instructions carefully and keep them for future reference.
- 2) Please heed all warnings.
- 3) Please follow these instructions.
- 4) Do not use this apparatus near water or allow to get wet.
- 5) Keep well ventilated.
- 6) Do not install near heat sources such as radiators, stoves etc.
- 7) Protect the power cord from damage.
- 8) Disconnect from the power supply during lightning storms or extended periods of inactivity.
- 9) Refer all servicing to qualified service personnel. If the unit develops a fault of any sort please refer repair back to your dealer.
- 10) Do not force the controls or switches further than their normal stops.
- 11) Clean with a dry soft cloth. If you do use polish, then apply polish to cloth not directly to the unit.

# CONNECTING UP YOUR XXLS400

**Always switch off your system before disconnecting or connecting any wires.**

To make connecting up of the XXLS400 as versatile as possible we have included two separate inputs. One Neutrik Speakon socket and one pairs of gold plated RCA sockets. This is to facilitate use with both Hi-Fi and AV surround systems.

The high level input, is an unbalanced dual channel (stereo) input that uses a professional touch proof Neutrik Speakon connector. Signals for this input would normally be sourced from the left and right speaker terminals of the main system amplifier. The advantage of this method is that the XXLS400 receives exactly the same signal as being supplied to the main speakers. This means that the character and tonal balance of the bass from the main speakers is carried through to the sub bass.

The low level input is via one set of the gold plated RCA to RCA connectors marked as "IN" on the front panel. Signals for the low level input are unbalanced and would normally be sourced from the LFE output of an AC3 decoder. Alternatively the low level input can be connected to a dedicated sub out of a processor (for single outputs connect to the input marked "Mono"), or to stereo pre-amp output where available.

The XXLS400-D F comes fitted with four metal feet that have M8 inserts fitted in each foot. You can place the subwoofer directly on the floor but if you find the subwoofer slides then you may need to put a neoprene or rubber disk under each foot. You may wish to fit speaker spikes, if so then you will need to purchase a set with an M8 thread, it would also be helpful to order a set of spike cups to protect the floor. We sell an encapsulated Spike with integral spike cup which is designed so that the spike cannot slide of the cup, please look on our website for the M8 SuperSpikes

The XXLS400-FF comes fitted with 4 x nylon screws fitted, these are fitted to make the subwoofer airtight and so that you you can safely sit the subwoofer directly on the floor without damaging the base., If you wish to use speaker spikes then please remove the nylon screws to fit the spikes, please use ones with an M8 thread

# CONNECTING UP USING THE HIGH LEVEL INPUT

Figure 1. Shows a diagram on how to connect the high level input. Using the optional Neutrik lead, connect the XXLS400 to the output of your amplifier via your existing speaker plug or to a spare set of speaker terminals if available. In effect you are Bi-Wiring your XXLS400 to your power amp. Please note that the Neutrik cable has only three leads and is arranged this way to preserve the star earthing of your amplifier (assuming it has a star earth arrangement).

To connect the high level lead you will need to connect the RED wire to the RED terminal of the RIGHT hand speaker terminal of your power amp. Connect the WHITE wire to the Red terminal of the LEFT hand channel speaker terminal of your power amp. The BLACK wire is connected to either one of the BLACK speaker terminals of your power amplifier. This is important as some power amplifiers do not like their black terminals joined. Now plug the neutrik connector into the high level input of the XXLS400. The Neutrik plug will fit only one way as it has a key. Next push the plug in then turn clockwise until you feel it latch. To undo the Neutrik plug, pull back the silver lever on the Neutrik plug and turn counter-clockwise.

**Please Note:** It may not be possible or advisable to connect the high level input directly to an amplifier that has a class d digital output. Please check with the supplier of your amplifier that this form of connection is possible.

If you do have a class d amplifier and are unable to use the high level input, then BK have developed a sonically transparent isolator that overcomes this problem. Please contact us for further details.

## Method 1 - To Connect to a Power Amplifier Using the High Level Input

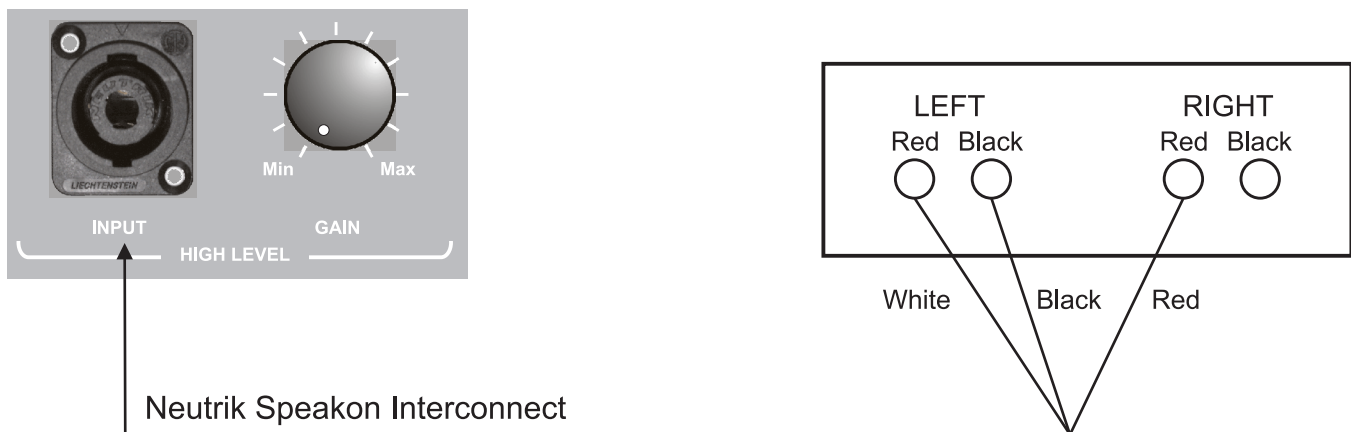


Figure 1.

# CONNECTING UP USING THE LOW LEVEL INPUT

Figure 2. Shows a diagram on how to connect the low level input. Using the supplied RCA to RCA interconnect, plug one end into the XXLS400 low level input and the other end into the dedicated sub output on your amplifier or processor. If a sub out is not available then you can use a spare set of pre-amp outputs.

If you only have a single sub woofer output socket on your equipment, then connect up using one of the pairs of leads (red to red). In this instance use the (Mono) input on your XXLS400 sub.

Please Note that high and low level connections can be used at the same time if required. This has the advantage of being able to connect up a Hi-Fi and AV system simultaneously.

## Method 2 - To Connect to the Amplifier Using the low level input

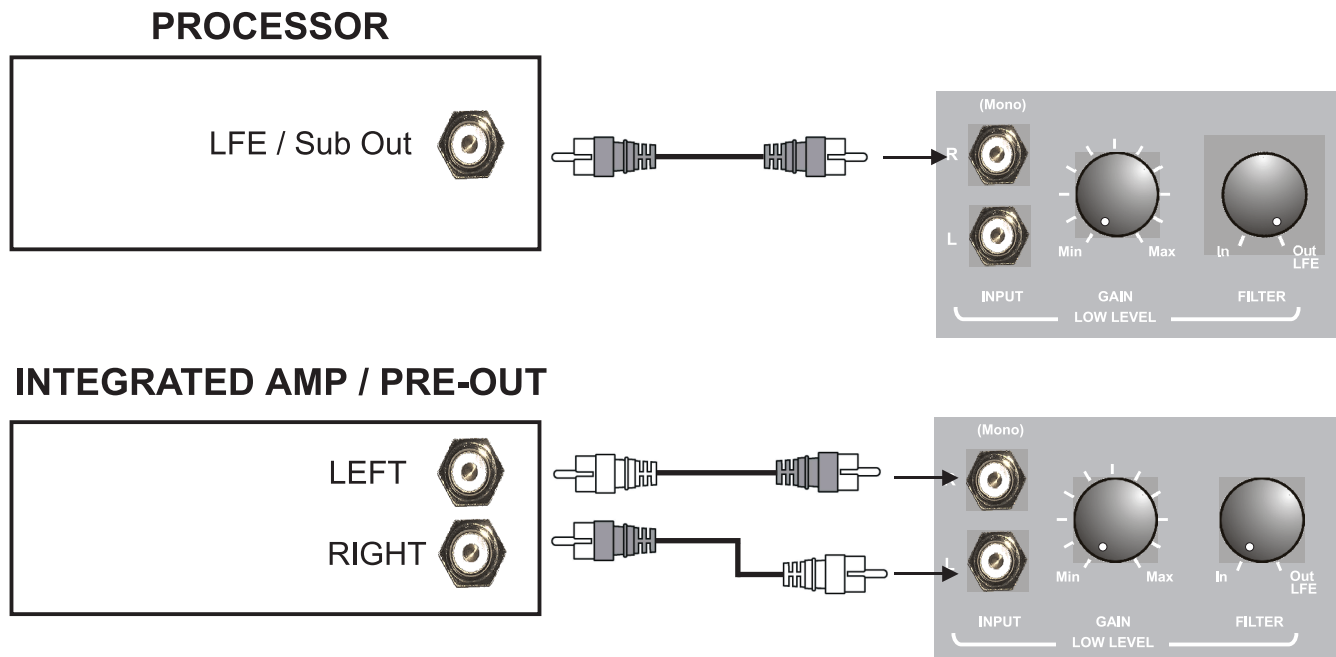


Figure 2.

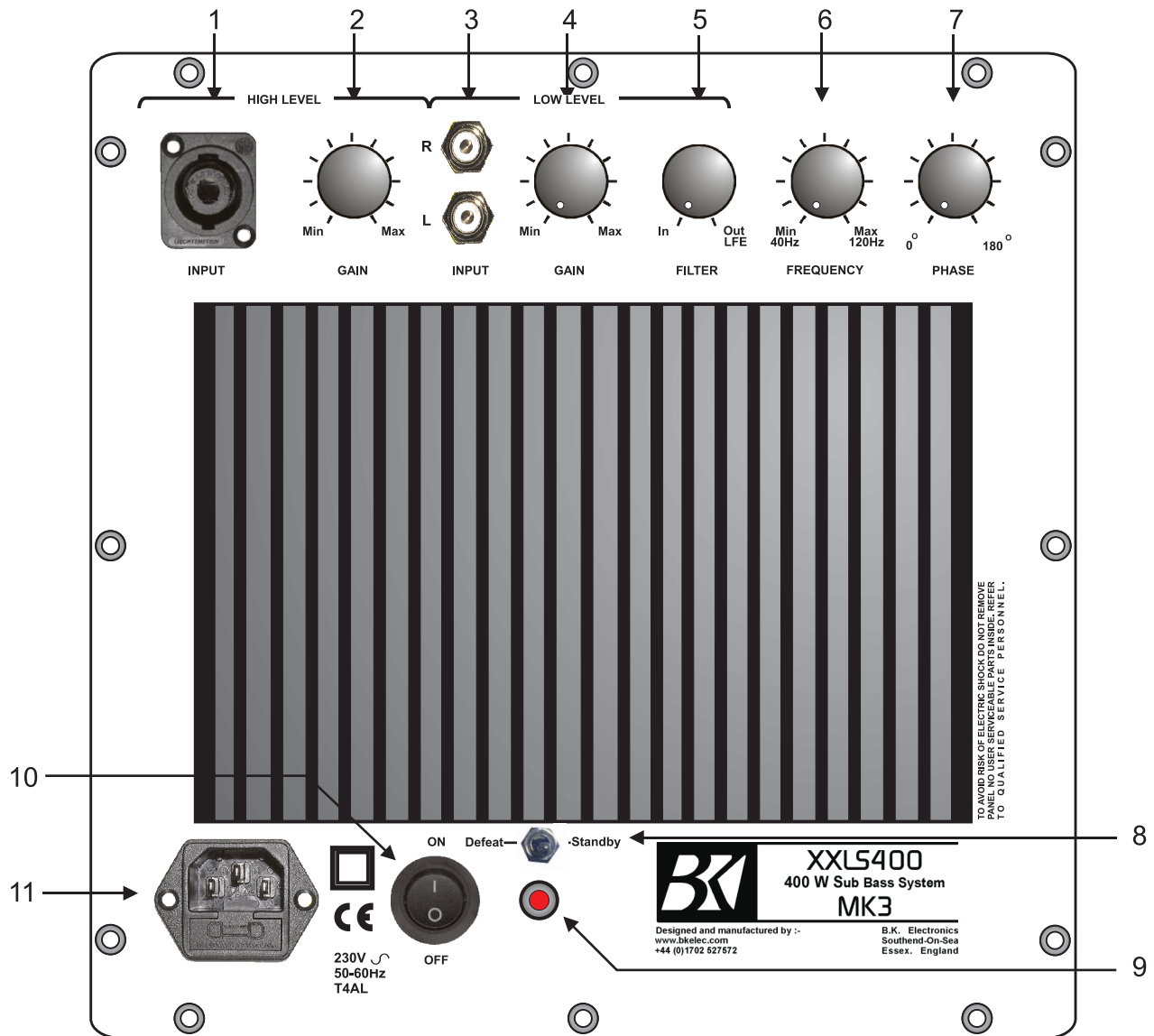
## SETTING UP YOUR XXLS400

- Connect your XXLS400 as shown in Figure 1 or Figure 2. Then attach your subwoofer to the power supply using the power cable supplied, at this point have the power switch in the off position.
- Now turn both the high level and low level gains to the minimum position, and the frequency control to 120Hz. Turn the phase control to position 1.
- When using a source on the low level input that has built in bass management ( AV Processors) then you can switch the Filter Bypass Switch to the Out position. Your processor will manage the bass frequencies on the low level and the XXLS400 will manage the bass frequencies on the High Level Input
- Now switch the power on, and play a track which you are familiar with that has bass content (If you are using both inputs then start by setting the high level input first using an audio CD then repeat the setting up procedure on the low level input using a film track).
- Adjust the gain control until the level of the bass from your subwoofer matches the level from your main system speakers. Now slowly adjust the frequency control counter clockwise until the output from the subwoofer meets the lowest notes from your main speakers (the crossover point), you may need to adjust the gain control again to match your main system speakers.
- The XXLS400 has a fully adjustable phase control to allow partial cancellation of the frequencies around the crossover point between the two systems. Listen to the quality of the bass with the phase in the 0 deg position and then slowly adjust towards the 180 deg position . Choose the position that subjectively offers the tightest cleanest bass.

Following these setup instructions will get you up and running, but over a few days with practice and a lot of listening you will be able to fine tune the system for seamless integration.

As a rule it is not usually necessary to have the subwoofer at high volume levels, but to have it gently supporting the main speakers.

# CONTROLS AND THEIR FUNCTIONS



- 1) High Level Input connector for connection to amplifier output
- 2) High Level Gain Adjust
- 3) Low Level Input RCA connectors for connection to pre-amp output, Dolby output or other dedicated sub outputs
- 4) Low Level Gain Adjust
- 5) Low Level Filter Bypass - In = Filter in operation - Out = Filter Bypassed. In the Out / L.F.E. Position the filter is opened wide to allow the optimum performance from processor
- 6) Frequency Contour, set up so as to integrate with main loudspeakers.
- 7) Continuously variable phase control
- 8) Auto On Function "On-Off" Switch - Up = Active / Down = Disabled (powered on permanently)
- 9) Power on LED - With power switch in on position and LED "Green" then amplifier is on with power switch in on position and LED "Red" subwoofer is in standby waiting for a signal
- 10) Power Off/On Switch
- 11) IEC mains input connector. (Fuse Drawer contains spare 4.0AT fuse)



# SPECIFICATION

<b>System Type:</b>	Infinite Baffle Sub-bass system with on-board amplification and active filtering. Fully optimised enclosure manufactured from critically damped 25mm MDF
<b>Drive Units:</b>	<b>300mm</b> 12" high-efficiency unit. Extreme long stroke composite fiber cone driven by a 3 " 75mm voice coil. Heavy-duty non-resonant cast aluminium chassis and fully optimised stacked magnet system.
<b>Amplifier:</b>	400W RMS DC coupled bi-polar.
<b>Inputs:</b>	High Level 100K ohm unbalanced via Neutrik Speakon connector Low level 10K unbalanced via gold plated RCA connectors.
<b>Nominal impedance/input voltage:</b>	110/120v (220/240v) where applicable.
<b>Sensitivity/Features:</b>	Phase control 0 and 180 Deg. High and low level mixing capability. Automatic Speaker Protection
<b>Dimensions HxWxD:</b>	XXLS400-DF 400D x 460H x 400W XXLS400-FF 400D x 400H x 450W
<b>Weight each unpacked:</b>	27.7Kg - 61.0 lbs
<b>Quiescent Power Consumption:</b>	12 W

## Please be AWARE

When BK design a subwoofer it is built to withstand a certain amount of excessive use, to this end we design in circuits that will help protect the drive unit and amplifier from damage. That said these circuits do have a limit and therefore can be over-driven if the user insists on turning up either the drive level from the source, or the gain controls on the subwoofer. When the subwoofer is over-driven it will sound distorted and if pushed extremely hard may emit a cracking noise. If this happens then please turn the gain down from your source. Prolonged misuse in this fashion will damage the subwoofer, such damage is not covered by warranty

It is worth remembering that a subwoofer is there to augment your sound system and not to overwhelm it. If you feel that there is not enough bass then there may be room issues that could easily be overcome by a different room placement. It could also mean you simply have too small a sub for your room or taste.

## WEEE Consumer Notice



This product is subject to Directive 2002/96/EC of the European Parliament and the Council of the European Union on Waste of Electrical and Electronic Equipment (WEEE) and, in jurisdictions adopting that Directive, is marked as being put on the market after August 13, 2005, and should not be disposed of as unsorted municipal/public waste. Please utilise your local WEEE collection facilities in the disposition and otherwise observe all applicable requirements.

